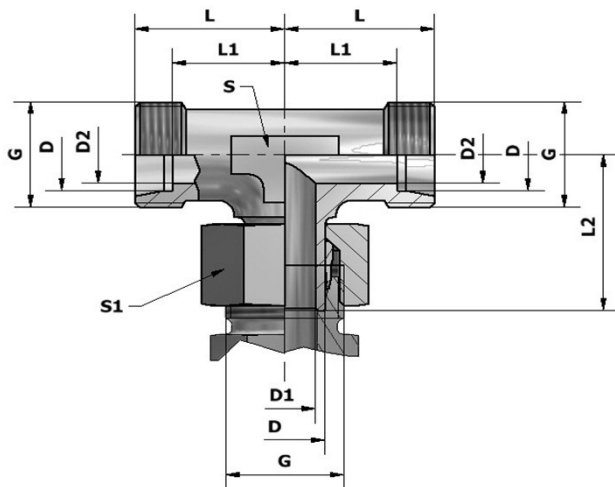


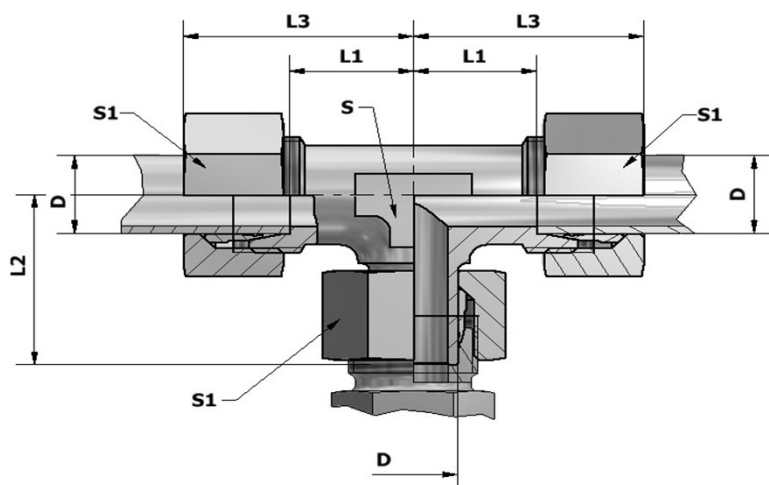
ХЕТА - Регулируемый ввертной тройник угол конуса 24°



Серия	D	G	D1	D2	L	L1	L2	S	S1	Вес, кг/100	Цифровой №	№ комп
L PN 315	6	M12x1,5	3,5	4	19	12,0	26,0	12	14	3,80	41854/21	XETA6LHc3d
	8	M14x1,5	5,5	6	21	14,0	27,5	12	17	4,60	41855/21	XETA8LHc3d
	10	M16x1,5	7,5	8	22	15,0	29,0	14	19	6,00	41856/21	XETA10LHc3d
	12	M18x1,5	9,5	10	24	17,0	29,5	17	22	7,70	41857/21	XETA12LHc3d
	15	M22x1,5	11,5	12	28	21,0	32,5	19	27	13,60	41858/21	XETA15LHc3d
	18	M26x1,5	14,5	15	31	23,5	35,5	24	32	20,60	41859/21	XETA18LHc3d
PN 160	22	M30x2	17,0	19	35	27,5	38,5	27	36	26,60	41860/21	XETA22LHc3d
	28	M36x2	23,0	24	38	30,5	41,5	36	41	38,90	1861/21	XETA28LHc3d
	35	M45x2	29,0	30	45	34,5	51,0	41	50	61,80	1862/21	XETA35LHc3d
	42	M52x2	35,5	36	51	40,0	56,0	50	60	82,10	1863/21	XETA42LHc3d
S PN 630	6	M14x1,5	3,5	4	23	16,0	27,0	12	17	5,70	1864/21	XETA6SHc3d
	8	M16x1,5	4,5	5	24	17,0	27,5	14	19	7,10	1865/21	XETA8SHc3d
	10	M18x1,5	6,5	7	25	17,5	30,0	17	22	10,00	1866/21	XETA10SHc3d
	12	M20x1,5	7,5	8	29	21,5	31,0	17	24	13,10	1867/21	XETA12SHc3d
PN 400	16	M24x1,5	11,5	12	33	24,5	36,5	24	30	22,80	1869/21	XETA16SHc3d
	20	M30x2	15,5	16	37	26,5	44,5	27	36	33,50	1870/21	XETA20SHc3d
	25	M36x2	18,0	20	42	30,0	50,0	36	46	64,10	1871/21	XETA25SHc3d
	30	M42x2	23,5	25	49	35,5	55,0	41	50	87,40	1872/21	XETA30SHc3d
PN 315	38	M52x2	29,5	32	57	41,0	63,0	50	60	141,90	1873/21	XETA38SHc3d

ETA - Регулируемый ввертной тройник

угол конуса 24°



Серия	D	L1	L2	L3	S	S1	Вес, кг/100	Цифровой №	№ комп
L	6	12,0	26,0	27	12	14	5,90	41834/21	ETA6LHc3d
PN 315	8	14,0	27,5	29	12	17	7,80	41835/21	ETA8LHc3d
	10	15,0	29,0	30	14	19	10,50	41836/21	ETA10LHc3d
	12	17,0	29,5	32	17	22	13,30	41837/21	ETA12LHc3d
	15	21,0	32,5	36	19	27	22,40	41838/21	ETA15LHc3d
	18	23,5	35,5	40	24	32	33,50	41839/21	ETA18LHc3d
PN 160	22	27,5	38,5	44	27	36	43,80	41840/21	ETA22LHc3d
	28	30,5	41,5	47	36	41	57,40	1841/21	ETA28LHc3d
	35	34,5	51,0	56	41	50	91,20	1842/21	ETA35LHc3d
	42	40,0	56,0	63	50	60	128,30	1843/21	ETA42LHc3d
S	6	16,0	27,0	31	12	17	9,00	1844/21	ETA6SHc3d
PN 630	8	17,0	27,5	32	14	19	10,90	1845/21	ETA8SHc3d
	10	17,5	30,0	34	17	22	16,50	1846/21	ETA10SHc3d
	12	21,5	31,0	38	17	24	20,70	1847/21	ETA12SHc3d
	16	24,5	36,5	43	24	30	35,60	1849/21	ETA16SHc3d
PN 400	20	26,5	44,5	48	27	36	54,20	1850/21	ETA20SHc3d
	25	30,0	50,0	54	36	46	105,20	1851/21	ETA25SHc3d
	30	35,5	55,0	62	41	50	133,30	1852/21	ETA30SHc3d
	38	41,0	63,0	72	50	60	207,70	1853/21	ETA38SHc3d