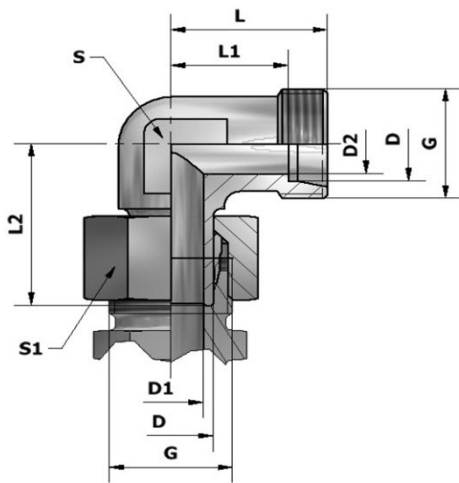
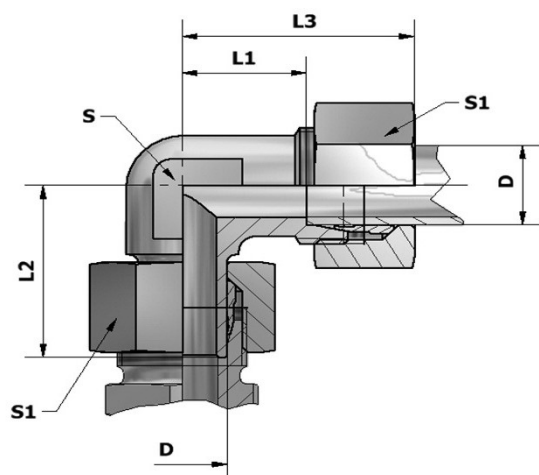


## XEWA - Регулируемое ввертное колено угол конуса 24°



Серия	D	G	D1	D2	L	L1	L2	S	S1	Вес, кг/100	Цифровой №	№ комп
L PN 315	6	M12x1,5	3,5	4	19	12,0	26,0	12	14	2,95	41789/21	XEWA6LHc3d
	8	M14x1,5	5,5	6	21	14,0	27,5	12	17	3,20	41791/21	XEWA8LHc3d
	10	M16x1,5	7,5	8	22	15,0	29,0	14	19	4,30	41792/21	XEWA10LHc3d
	12	M18x1,5	9,5	10	24	17,0	29,5	17	22	6,20	41794/21	XEWA12LHc3d
	15	M22x1,5	11,5	12	28	21,0	32,5	19	27	10,50	41795/21	XEWA15LHc3d
PN 160	18	M26x1,5	14,5	15	31	23,5	35,5	24	32	15,30	41796/21	XEWA18LHc3d
	22	M30x2	17,0	19	35	27,5	38,5	27	36	22,50	41797/21	XEWA22LHc3d
	28	M36x2	23,0	24	38	30,5	41,5	36	41	31,80	1798/21	XEWA28LHc3d
	35	M45x2	29,0	30	45	34,5	51,0	41	50	51,50	1799/21	XEWA35LHc3d
S PN 630	42	M52x2	35,5	36	51	40,0	56,0	50	60	81,40	1800/21	XEWA42LHc3d
	6	M14x1,5	3,5	4	23	16,0	27,0	12	17	4,10	1801/21	XEWA6SHc3d
	8	M16x1,5	4,5	5	24	17,0	27,5	14	19	5,50	1802/21	XEWA8SHc3d
	10	M18x1,5	6,5	7	25	17,5	30,0	17	22	7,90	1803/21	XEWA10SHc3d
PN 400	12	M20x1,5	7,5	8	29	21,5	31,0	17	24	9,50	1804/21	XEWA12SHc3d
	16	M24x1,5	11,5	12	33	24,5	36,5	24	30	17,10	1806/21	XEWA16SHc3d
	20	M30x2	15,5	16	37	26,5	44,5	27	36	27,70	1807/21	XEWA20SHc3d
	25	M36x2	18,0	20	42	30,0	50,0	36	46	51,20	1808/21	XEWA25SHc3d
PN 315	30	M42x2	23,5	25	49	35,5	55,0	41	50	71,90	1809/21	XEWA30SHc3d
	38	M52x2	29,5	32	57	41,0	63,0	50	60	109,10	1810/21	XEWA38SHc3d

## EWA - Регулируемое ввертное колено угол конуса 24°



Серия	D	L1	L2	L3	S	S1	Вес, кг/100	Цифровой №	№ комп
L PN 315	6	12,0	26,0	27	12	14	4,00	41765/21	EWA6LHc3d
	8	14,0	27,5	29	12	17	4,80	41767/21	EWA8LHc3d
	10	15,0	29,0	30	14	19	6,55	41768/21	EWA10LHc3d
	12	17,0	29,5	32	17	22	9,00	41770/21	EWA12LHc3d
	15	21,0	32,5	36	19	27	14,90	41771/21	EWA15LHc3d
PN 160	18	23,5	35,5	40	24	32	21,75	41773/21	EWA18LHc3d
	22	27,5	38,5	44	27	36	31,10	41774/21	EWA22LHc3d
	28	30,5	41,5	47	36	41	41,05	1775/21	EWA28LHc3d
	35	34,5	51,0	56	41	50	66,20	1776/21	EWA35LHc3d
S PN 630	42	40,0	56,0	63	50	60	104,50	1777/21	EWA42LHc3d
	6	16,0	27,0	31	12	17	5,75	1778/21	EWA6SHc3d
	8	17,0	27,5	32	14	19	7,40	1779/21	EWA8SHc3d
	10	17,5	30,0	34	17	22	11,15	1780/21	EWA10SHc3d
PN 400	12	21,5	31,0	38	17	24	13,30	1781/21	EWA12SHc3d
	16	24,5	36,5	43	24	30	23,50	1783/21	EWA16SHc3d
	20	26,5	44,5	48	27	36	38,05	1784/21	EWA20SHc3d
	25	30,0	50,0	54	36	46	71,75	1785/21	EWA25SHc3d
PN 315	30	35,5	55,0	62	41	50	94,85	1786/21	EWA30SHc3d
	38	41,0	63,0	72	50	60	142,00	1787/21	EWA38SHc3d