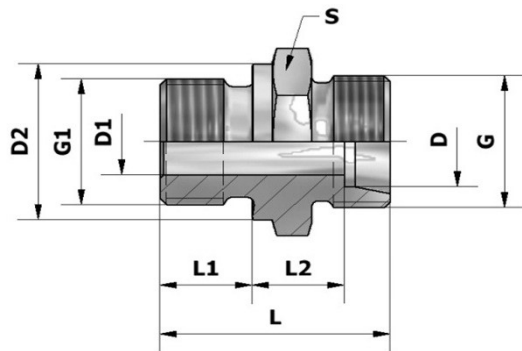


## XGE..R..Z - Прямой штуцерный соединитель с наружной резьбой

Трубная коническая резьба BSP с герметизацией металлических поверхностей (ISO 1179) / углом конуса 24°



Серия	D	G	G1	D1	D2	L	L1	L2	S	Вес, кг/100	Цифровой №	№ комп
L PN 315	6	M12x1,5	G 1/8 A	4	14	23,5	8	8,5	14	1,30	28/21	XGE6R1/8ZLc3d
	6	M12x1,5	G 1/4 A	4	18	29,0	12	10,0	19	2,70	29/21	XGE6R1/4ZLc3d
	6	M12x1,5	G 3/8 A	4	22	30,5	12	11,5	22	4,50	30/21	XGE6R3/8ZLc3d
	8	M14x1,5	G 1/8 A	4	14	24,5	8	8,5	14	1,60	12555/21	XGE8R1/8ZLc3d
	8	M14x1,5	G 1/4 A	6	18	29,0	12	10,0	19	2,60	31/21	XGE8R1/4ZLc3d
	8	M14x1,5	G 3/8 A	6	22	30,5	12	11,5	22	4,40	32/21	XGE8R3/8ZLc3d
	8	M14x1,5	G 1/2 A	6	26	33,0	14	12,0	27	7,40	842/21	XGE8R1/2ZLc3d
	10	M16x1,5	G 1/4 A	6	18	30,0	12	11,0	19	3,10	33/21	XGE10R1/4ZLc3d
	10	M16x1,5	G 3/8 A	8	22	31,5	12	12,5	22	4,40	34/21	XGE10R3/8ZLc3d
	10	M16x1,5	G 1/2 A	8	26	34,0	14	13,0	27	7,20	808/21	XGE10R1/2ZLc3d
	12	M18x1,5	G 1/4 A	6	18	31,0	12	12,0	19	3,20	36/21	XGE12R1/4ZLc3d
	12	M18x1,5	G 3/8 A	9	22	31,5	12	12,5	22	4,30	37/21	XGE12R3/8ZLc3d
PN 250	12	M18x1,5	G 1/2 A	10	26	34,0	14	13,0	27	6,70	38/21	XGE12R1/2ZLc3d
	12	M18x1,5	G 3/4 A	10	32	37,0	16	14,0	32	12,00	14070/21	XGE12R3/4ZLc3d
	15	M22x1,5	G 3/8 A	9	22	32,5	12	13,5	24	5,60	4106/21	XGE15R3/8ZLc3d
	15	M22x1,5	G 1/2 A	11	26	35,0	14	14,0	27	7,20	41/21	XGE15R1/2ZLc3d
	15	M22x1,5	G 3/4 A	12	32	38,0	16	15,0	32	11,80	8201/21	XGE15R3/4ZLc3d
	18	M26x1,5	G 3/8 A	9	22	33,5	12	14,0	27	6,90	9997/21	XGE18R3/8ZLc3d
PN 160	18	M26x1,5	G 1/2 A	14	26	36,0	14	14,5	27	7,20	43/21	XGE18R1/2ZLc3d
	18	M26x1,5	G 3/4 A	15	32	38,0	16	14,5	32	11,20	8203/21	XGE18R3/4ZLc3d
	22	M30x2	G 1/2 A	14	26	38,0	14	16,5	32	9,10	8462/21	XGE22R1/2ZLc3d
	22	M30x2	G 3/4 A	18	32	40,0	16	16,5	32	10,30	46/21	XGE22R3/4ZLc3d
	22	M30x2	G 1 A	19	39	43,0	18	17,5	41	18,40	8047/21	XGE22R1ZLc3d
	28	M36x2	G 1/2 A	14	26	39,0	14	17,5	41	14,10	13371/21	XGE28R1/2ZLc3d
PN 160	28	M36x2	G 3/4 A	18	32	41,0	16	17,5	41	15,60	8283/21	XGE28R3/4ZLc3d
	28	M36x2	G 1 A	23	39	43,0	18	17,5	41	16,80	47/21	XGE28R1ZLc3d
	35	M45x2	G 1 A	23	39	46,0	18	17,5	46	23,40	14438/21	XGE35R1ZLc3d
	35	M45x2	G 1 1/4 A	30	49	48,0	20	17,5	50	27,60	48/21	XGE35R1 1/4 ZLc3d
	42	M52x2	G 1 1/4 A	30	49	50,0	20	19,0	55	33,60	14205/21	XGE42R1 1/4 ZLc3d
	42	M52x2	G 1 1/2 A	36	55	52,0	22	19,0	55	34,90	49/21	XGE42R1 1/2 ZLc3d

Ввертные хвостовики штуцера формы А (DIN 3852) поставляются по заказу