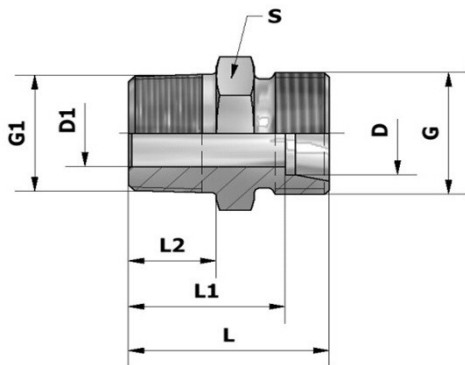


XGE..R..K - Прямой штуцерный соединитель с наружной резьбой

Трубная коническая резьба BSP/ угол конуса 24°



Серия	D	G	G1	D1	L	L1	L2	S	Вес, кг/100	Цифровой №	№ комп
LL	4	M8x1	R1/8 keg.	3,0	20	16,0	8	11	0,80	13141/21	XGE4R1/8KLLc3d
PN 100	6	M10x1	R1/8 keg.	4,5	20	14,5	8	11	0,80	3/21	XGE6R1/8KLLc3d
	8	M12x1	R1/8 keg.	6,0	22	16,5	8	12	1,00	4/21	XGE8R1/8KLLc3d
L	6	M12x1,5	R1/8 keg.	4,0	22	15,0	8	12	1,10	8/21	XGE6R1/8KLc3d
PN 315	6	M12x1,5	R1/4 keg.	4,0	27	20,0	12	17	2,40	9/21	XGE6R1/4KLc3d
	8	M14x1,5	R1/8 keg.	4,0	23	16,0	8	14	1,50	11/21	XGE8R1/8KLc3d
	8	M14x1,5	R1/4 keg.	6,0	27	20,0	12	17	2,20	12/21	XGE8R1/4KLc3d
	10	M16x1,5	R1/4 keg.	7,0	28	21,0	12	17	2,40	15/21	XGE10R1/4KLc3d
	10	M16x1,5	R3/8 keg.	8,0	29	22,0	12	19	3,40	16/21	XGE10R3/8KLc3d
	12	M18x1,5	R1/4 keg.	7,0	29	22,0	12	19	5,30	18/21	XGE12R1/4KLc3d
	12	M18x1,5	R3/8 keg.	9,0	29	22,0	12	19	3,30	19/21	XGE12R3/8KLc3d
	12	M18x1,5	R1/2 keg.	10,0	31	24,0	14	24	5,30	20/21	XGE12R1/2KLc3d
PN 160	15	M22x1,5	R3/8 keg.	9,0	30	23,0	12	24	4,90	21/21	XGE15R3/8KLc3d
	15	M22x1,5	R1/2 keg.	11,0	32	25,0	14	24	5,90	22/21	XGE15R1/2KLc3d
	18	M26x1,5	R1/2 keg.	14,0	33	25,5	14	27	6,40	23/21	XGE18R1/2KLc3d
	22	M30x2	R3/4 keg.	17,0	37	29,5	16	32	9,90	24/21	XGE22R3/4KLc3d
	28	M36x2	R1 keg.	23,0	40	32,5	18	41	15,40	25/21	XGE28R1KLc3d